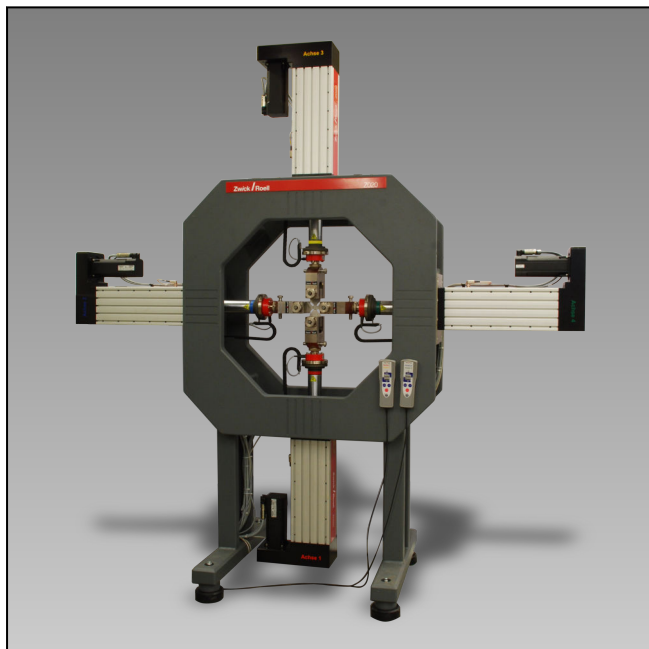


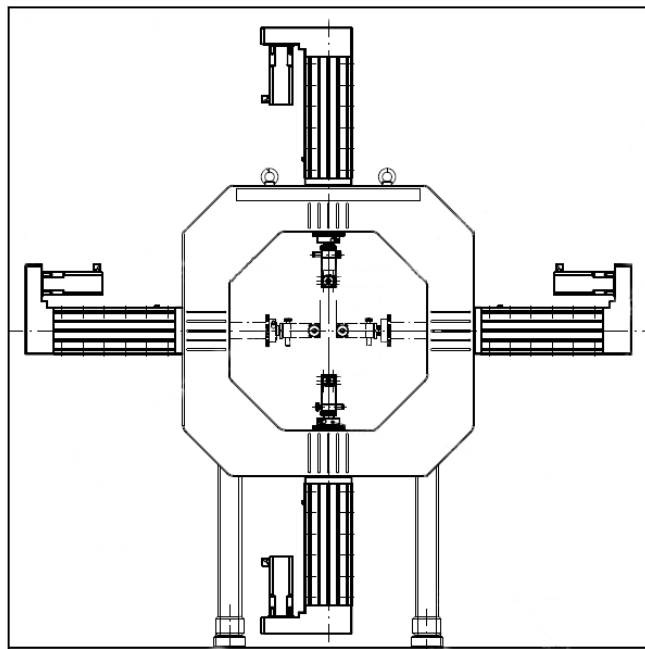
Product Information

Vertically oriented cruciform testing machine with electro-mechanical testing actuators for tests up to 50 kN

CTA: 38486 38493



Vertically oriented cruciform testing machine



Installation drawing showing arrangement

Range of application

This cruciform testing machine is designed for or uniaxial or biaxial tests on sheet metals, elastomers, plastics and components up to a maximum test force of 50 kN.

Four electro-mechanical testing actuators rated up to 50kN are installed in a vertical test support frame, with two actuators oriented vertically and two horizontally. This arrangement enables uniaxial tensile and compression tests to be performed in the vertical test axis using appropriate accessories. The design of the test frame allows an unobstructed view of the specimen from both front and rear, enabling strain measurement via optical measuring systems plus a suitable stand.

For strain measurement and control a videoXtens extensometer is available; specimen strain is recorded in the x/y directions. Mid-point control is available as an option if required in addition to strain measurement and control.

If mid-point control is not required, the drive axes can also be provided in master-slave mode, in which case only two measurement and control electronics units are required.

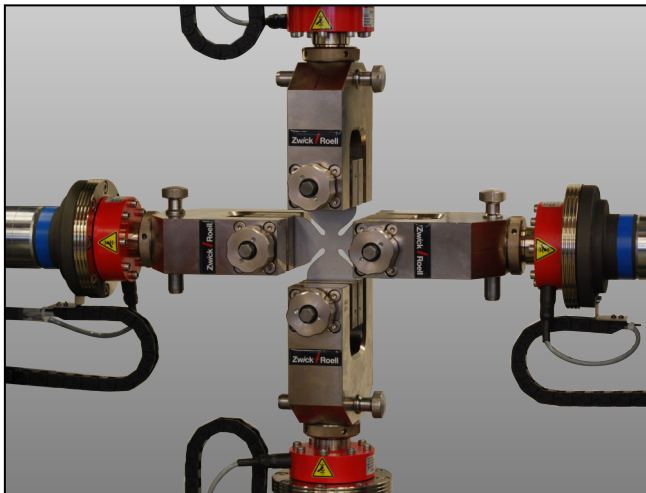
Advantages and features

- Employs proven ZwickRoell standard components
- Convenient working height
- Unobstructed view of specimen
- videoXtens employed for strain measurement and control
- testControl II measurement and control electronics
- Force or displacement control with smooth switching between modes
- testXpert III Master Test Program with graphical multi-axial sequence editor for 4 test axes for generation of customer's own test sequences
- Low maintenance costs combined with high life-expectancy
- Safety housing in compliance with CE Machinery Directive according to application
- large range of specimen grips and fixtures
- vertical design saves space
- test support frame features welded construction plus additional piston-rod guides for high degree of stiffness

Product Information

Vertically oriented cruciform testing machine with electro-mechanical testing actuators for tests up to 50 kN

CTA: 38487 38490



Cruciform specimen with screw-grips



Customized cruciform specimen

Fmax	50	kN
Item No.	069104	
Load frame dimensions		
Height, max.	2700	mm
Width, max.	2600	mm
Depth, max.	420	mm
Working height	1350	mm
Depth of horizontal base of frame	880	mm

Accessories required

Description	Item number
Emergency Stop linkage	1023870
Mobile Emergency Stop button with magnetic plate	067461

Note

- For technical data for the electro-mechanical testing actuators and load cells please see separate Product Information
- For technical data for specimen grips please see separate Product Information